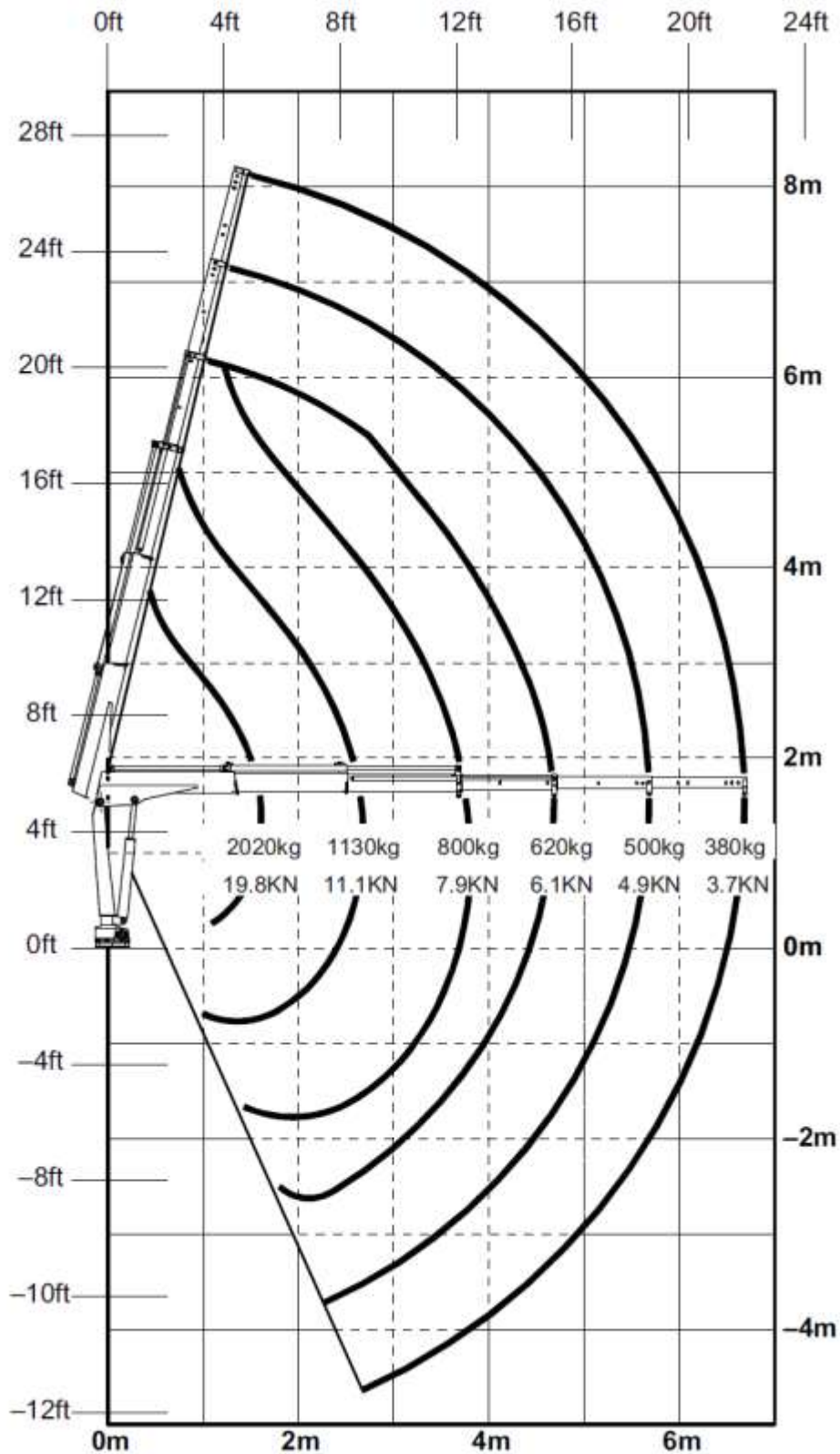




elevate to the highest power

PM 3513 LA

with 2 manual extensions



PM Group spa
via G. Verdi 22
41018 S. Cesario Sul Panaro MO Italy



Cap. Soc. i.v. 52.682.500,00 €
C.F. / P.IVA 03520360961
Registro Imprese di Modena
R.E.A. n. 334223

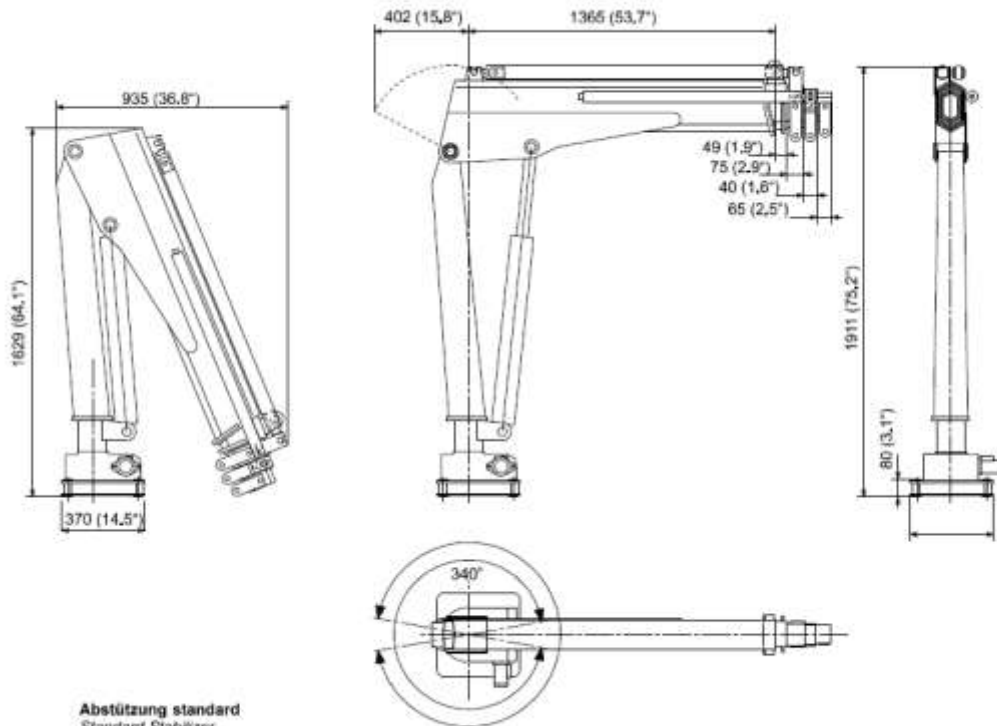
tel. +39 059 936811
fax +39 059 936800
www.pm-group.eu
info@pm-group.eu



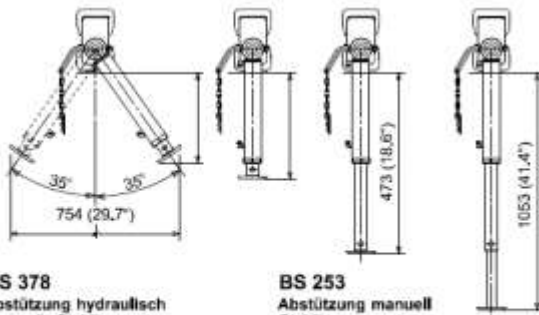
elevate to the highest power

PM 3513 LA

with 2 manual extensions

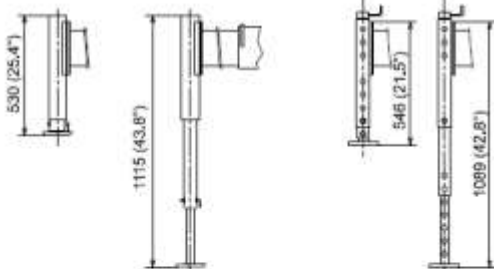


Abstützung standard
Standard Stabilizer
Stabilisateur standard
Stabilizzatore standard



BS 378
Abstützung hydraulisch
Hydraulic Stabilizer
Stabilisateur hydraulique
Stabilizzatore idraulico

BS 253
Abstützung manuell
Stabilizer manual
Stabilisateur manuel
Stabilizzatore manuale



TECHNISCHE DATEN - SPECIFICATIONS DONNEES TECHNIQUES - DATITECNICI

Lastmoment - Lifting moment Momento di sollevamento - Couple resistant	31,0 kNm (3,1 mt, 22896 ft.lbs)
Schwenkmoment - Slewing torque Coppia rotazione - Couple pivotant	3,2 kNm (0,33 mt, 2364 ft.lbs)
Schwenkbereich - Slewing range Angolo rotazione - Angle pivotant	340°
Betriebsdruck - Operating pressure Pressione di lavoro - Pression de service	25 Mpa (250 bar, 3625 psi)
Empfohlene Fördermenge der Pumpe - Recomm. pump capacity Portata consigliata della pompa - Refoulement conseillé pour la pompe	12 l/min (2,6 imp. gal/min)
Eigengewicht Standardkran - Dead weight standard crane Massa della gru standard - Poids mort grue standard (PC 3300 R3 Y)	220 kg (1388 lbs)

PM Group spa
via G. Verdi 22
41018 S. Cesario Sul Panaro MO Italy

Cap. Soc. i.v. 52.682.500,00 €
C.F. / P.IVA 03520360961
Registro Imprese di Modena
R.E.A. n. 334223

tel. +39 059 936811
fax +39 059 936800
www.pm-group.eu
info@pm-group.eu

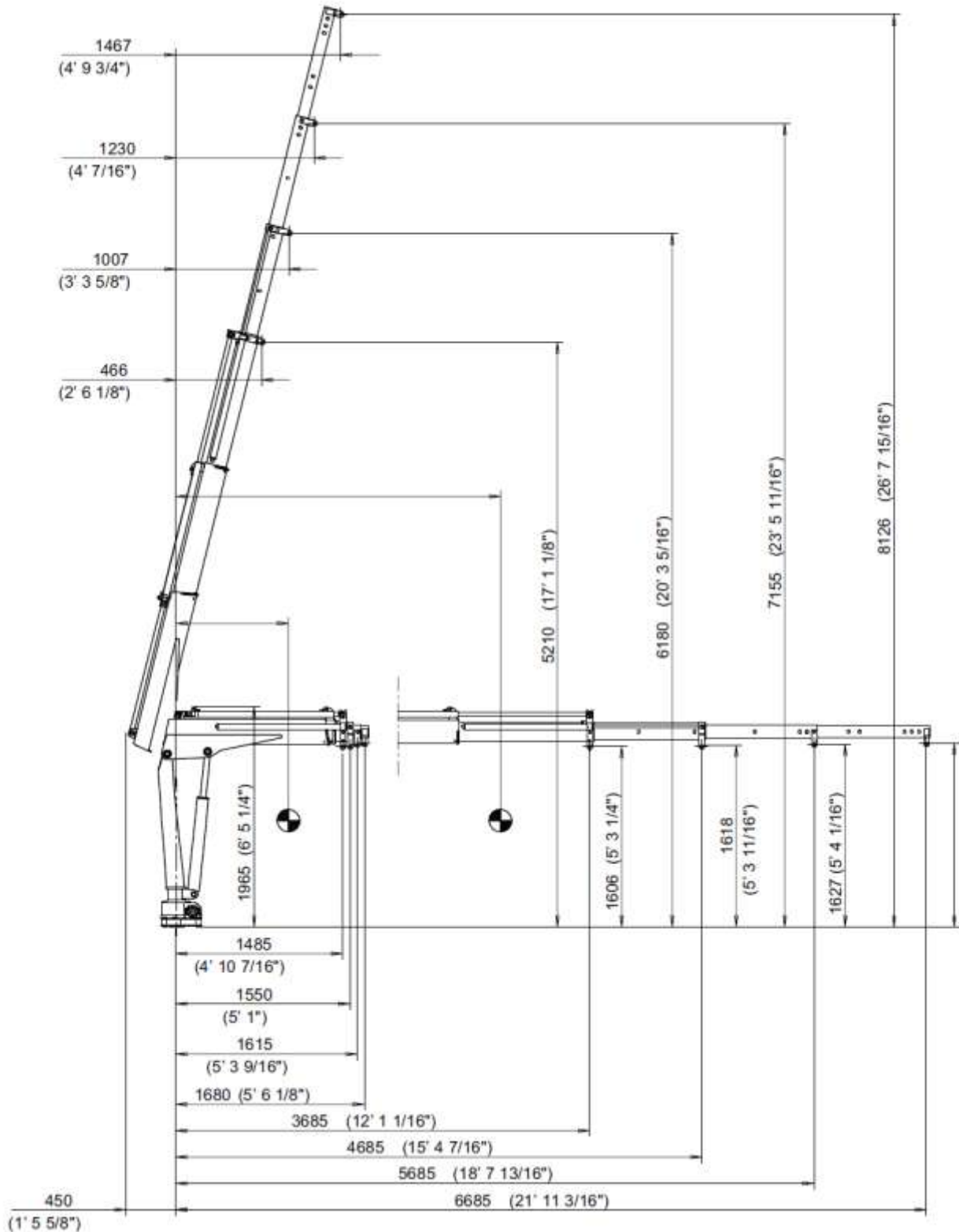




elevate to the highest power

PM 3513 LA

with 2 manual extensions



PM Group spa
via G. Verdi 22
41018 S. Cesario Sul Panaro MO Italy



Cap. Soc. i.v. 52.682.500,00 €
C.F. / P.IVA 03520360961
Registro Imprese di Modena
R.E.A. n. 334223

tel. +39 059 936811
fax +39 059 936800
www.pm-group.eu
info@pm-group.eu



elevate to the highest power

PM 3513 LA

with 2 manual extensions

Max. Hubmoment: Lifting moment: Couple de levage:	31.0 kNm (3.2 mt) 23145 ft.lbs
Max. Hubkraft: Max. lifting capacity: Capacite maxi de levage:	2050 kg 4520 lbs
Max. Hubkraft (CE): Max. lifting capacity (CE): Max. force de levage (CE):	990 kg 2180 lbs
Max. hydraulische Reichweite: Max. hydraulic outreach: Portee hydraulique maximale:	4.7m (15' 4 7/16")
Max. Reichweite: Max. outreach: Max. portee:	6.7 m (21' 11 3/16")
Schwenkbereich: Slewing angle: Angle de rotation:	340° 340°
Schwenkmoment: Slewing torque: Couple de rotation:	3.2 kNm (0.33 mt) 2390 ft.lbs
Max. Betriebsdruck: Operating pressure: Pression d' utilisation:	18.0 MPa (180 bar) 2610 psi
Fördermenge der Pumpe: Pump capacity: Debit de pompe:	8 l/min 1.8imp. gal./min (2.1US gal./min)

Hydr. Ausschübe: Hydr. boom extensions: Extensions hydrauliques:	1	2	3	4	5	6
Max. Reichweite: Max. outreach: Max. portee:		3685mm 12' 1 1/16"	4685mm 15' 4 7/16"			
+V		4685mm 15' 4 7/16"				
+V		5685mm 18' 7 13/16"	5685mm 18' 7 13/16"			
+V		6685mm 21' 11 3/16"	6685mm 21' 11 3/16"			
+V						
Krangewicht: Crane weight: Poids grue:		315kg 694 lbs	345kg 761 lbs			
+2/4						
+V		335kg 739 lbs				
+V		350kg 772 lbs	360kg 794 lbs			
+V		360kg 794 lbs	370kg 816 lbs			
+V						



Providing lifting solutions
for every need

pmindustries.ca

Toll Free: 1-855-656-1689

PM Group spa

via G. Verdi 22
41018 S. Cesario Sul Panaro MO Italy



Cap. Soc. i.v. 52.682.500,00 €
C.F. / P.IVA 03520360961
Registro Imprese di Modena
R.E.A. n. 334223

tel. +39 059 936811
fax +39 059 936800
www.pm-group.eu
info@pm-group.eu