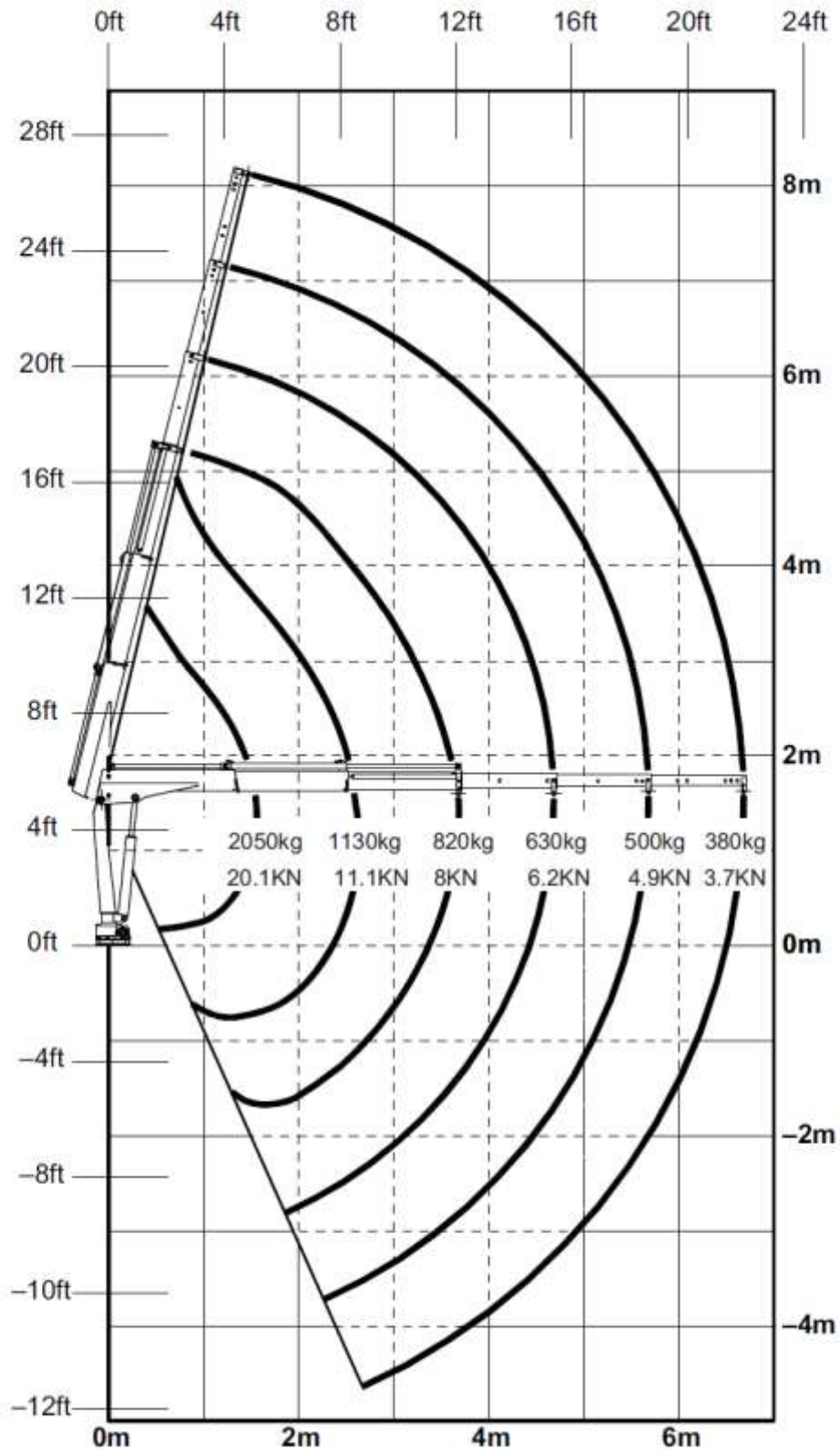




elevate to the highest power

# PM 3512 LA

with 3 manual extensions



PM Group spa  
via G. Verdi 22  
41018 S. Cesario Sul Panaro MO Italy



Cap. Soc. i.v. 52.682.500,00 €  
C.F. / P.IVA 03520360961  
Registro Imprese di Modena  
R.E.A. n. 334223

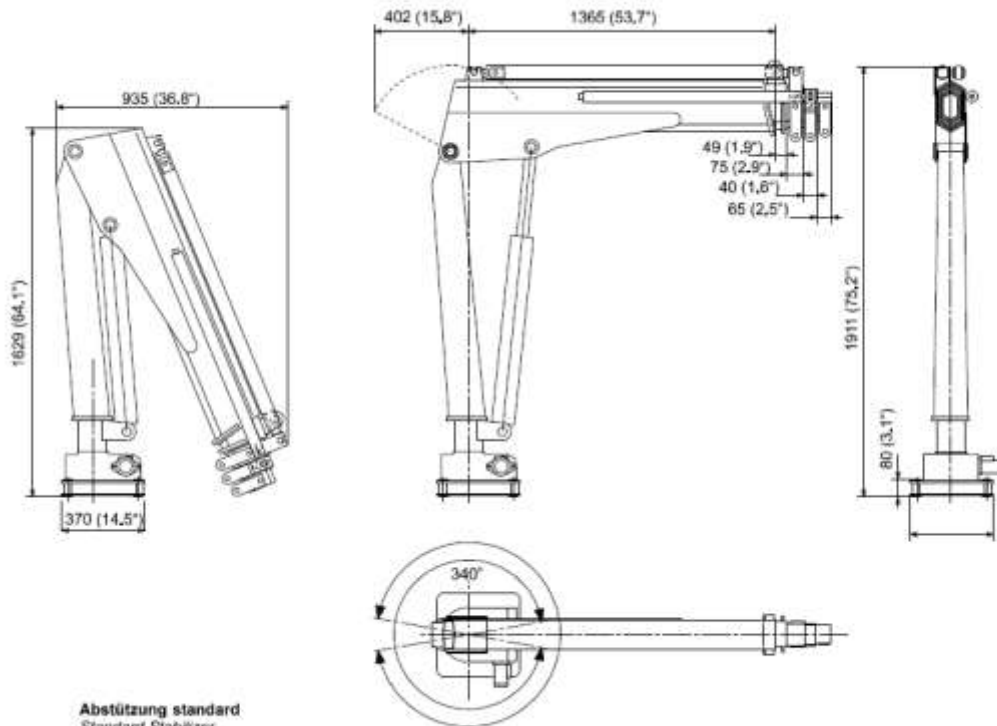
tel. +39 059 936811  
fax +39 059 936800  
www.pm-group.eu  
info@pm-group.eu



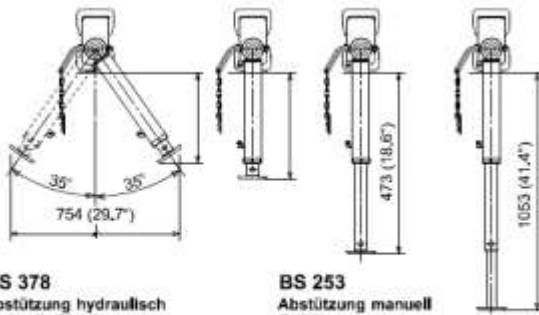
elevate to the highest power

# PM 3512 LA

with 3 manual extensions

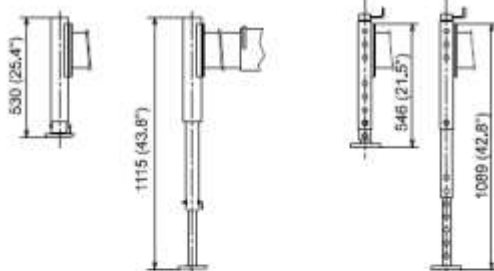


**Abstützung standard**  
Standard Stabilizer  
Stabilisateur standard  
Stabilizzatore standard



**BS 378**  
**Abstützung hydraulisch**  
Hydraulic Stabilizer  
Stabilisateur hydraulique  
Stabilizzatore idraulico

**BS 253**  
**Abstützung manuell**  
Stabilizer manual  
Stabilisateur manuel  
Stabilizzatore manuale



## TECHNISCHE DATEN - SPECIFICATIONS DONNEES TECHNIQUES - DATITECNICI

Lastmoment - Lifting moment Momento di sollevamento - Couple resistant	31.0 kNm (3,1 mt, 22896 ft.lbs)
Schwenkmoment - Slewing torque Coppia rotazione - Couple pivotant	3.2 kNm (0,33 mt, 2364 ft.lbs)
Schwenkbereich - Slewing range Angolo rotazione - Angle pivotant	340°
Betriebsdruck - Operating pressure Pressione di lavoro - Pression de service	25 Mpa (250 bar, 3625 psi)
Empfohlene Fördermenge der Pumpe - Recomm. pump capacity Portata consigliata della pompa - Refoulement conseillé pour la pompe	12 l/min (2,6 imp. gal/min)
Eigengewicht Standardkran - Dead weight standard crane Massa della gru standard - Poids mort grue standard (PC 3300 R3 Y)	220 kg (1388 lbs)

**PM Group spa**  
via G. Verdi 22  
41018 S. Cesario Sul Panaro MO Italy

Cap. Soc. i.v. 52.682.500,00 €  
C.F. / P.IVA 03520360961  
Registro Imprese di Modena  
R.E.A. n. 334223

tel. +39 059 936811  
fax +39 059 936800  
www.pm-group.eu  
info@pm-group.eu

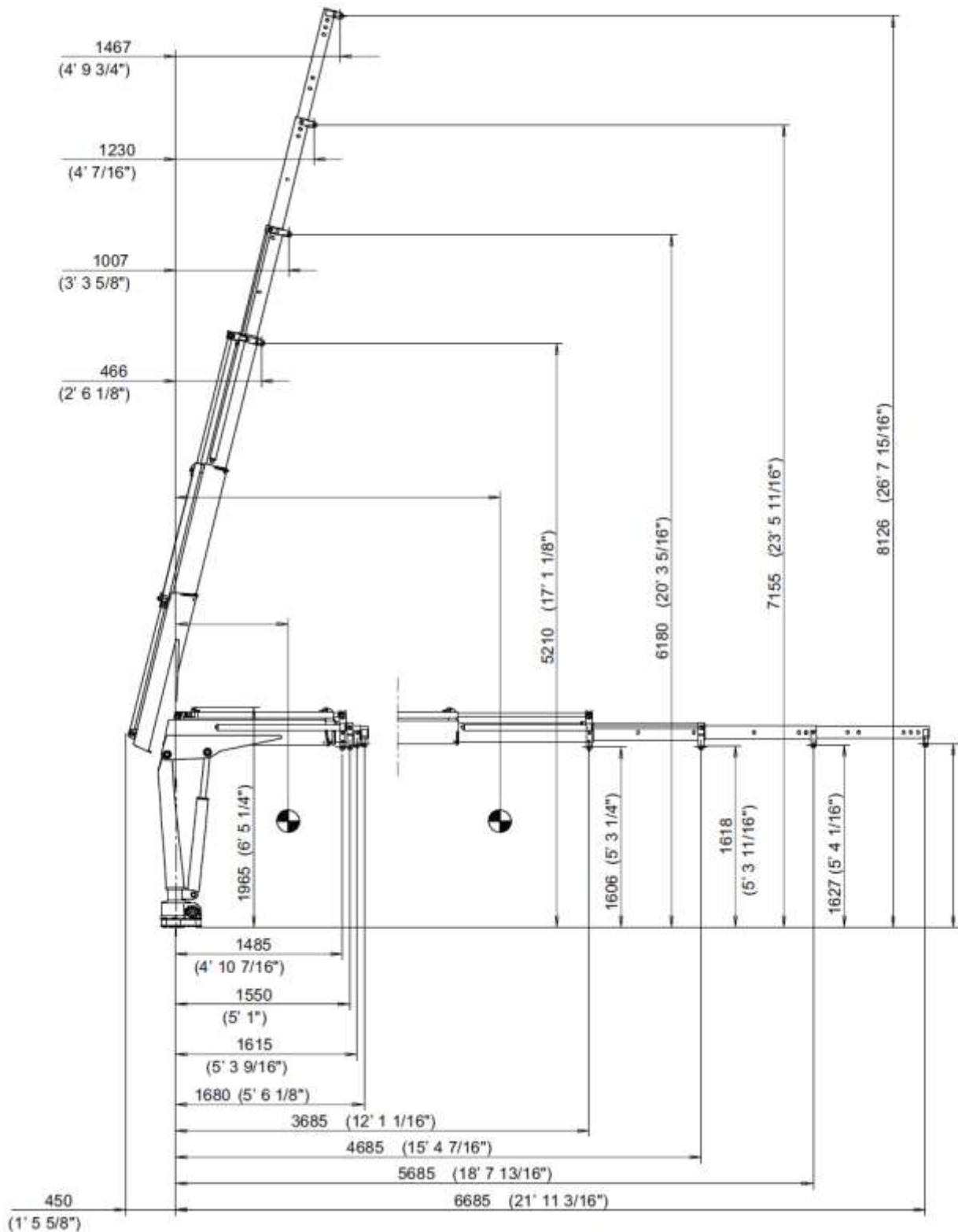




elevate to the highest power

# PM 3512 LA

with 3 manual extensions



**PM Group spa**  
via G. Verdi 22  
41018 S. Cesario Sul Panaro MO Italy



Cap. Soc. i.v. 52.682.500,00 €  
C.F. / P.IVA 03520360961  
Registro Imprese di Modena  
R.E.A. n. 334223

tel. +39 059 936811  
fax +39 059 936800  
www.pm-group.eu  
info@pm-group.eu



elevate to the highest power

# PM 3512 LA

with 3 manual extensions

<b>Max. Hubmoment:</b> Lifting moment: Couple de levage:	31.0 kNm (3.2 mt) 23145 ft.lbs
<b>Max. Hubkraft:</b> Max. lifting capacity: Capacite maxi de levage:	2050 kg 4520 lbs
<b>Max. Hubkraft (CE):</b> Max. lifting capacity (CE): Max. force de levage (CE):	990 kg 2180 lbs
<b>Max. hydraulische Reichweite:</b> Max. hydraulic outreach: Portee hydraulique maximale:	4.7m (15' 4 7/16")
<b>Max. Reichweite:</b> Max. outreach: Max. portee:	6.7 m (21' 11 3/16")
<b>Schwenkbereich:</b> Slewing angle: Angle de rotation:	340° 340°
<b>Schwenkmoment:</b> Slewing torque: Couple de rotation:	3.2 kNm (0.33 mt) 2390 ft.lbs
<b>Max. Betriebsdruck:</b> Operating pressure: Pression d' utilisation:	18.0 MPa (180 bar) 2610 psi
<b>Fördermenge der Pumpe:</b> Pump capacity: Debit de pompe:	8 l/min 1.8imp. gal./min (2.1US gal./min)

Hydr. Ausschübe: Hydr. boom extensions: Extensions hydrauliques:	1	2	3	4	5	6
<b>Max. Reichweite:</b> Max. outreach: Max. portee:		3685mm 12' 1 1/16"	4685mm 15' 4 7/16"			
<b>+V</b>		4685mm 15' 4 7/16"				
<b>+V</b>		5685mm 18' 7 13/16"	5685mm 18' 7 13/16"			
<b>+V</b>		6685mm 21' 11 3/16"	6685mm 21' 11 3/16"			
<b>+V</b>						
<b>Krangewicht:</b> Crane weight: Poids grue:		315kg 694 lbs	345kg 761 lbs			
<b>+2/4</b>						
<b>+V</b>		335kg 739 lbs				
<b>+V</b>		350kg 772 lbs	360kg 794 lbs			
<b>+V</b>		360kg 794 lbs	370kg 816 lbs			
<b>+V</b>						



Providing lifting solutions  
for every need

[pmindustries.ca](http://pmindustries.ca)

Toll Free: 1-855-656-1689

### PM Group spa

via G. Verdi 22  
41018 S. Cesario Sul Panaro MO Italy



Cap. Soc. i.v. 52.682.500,00 €  
C.F. / P.IVA 03520360961  
Registro Imprese di Modena  
R.E.A. n. 334223

tel. +39 059 936811  
fax +39 059 936800  
[www.pm-group.eu](http://www.pm-group.eu)  
[info@pm-group.eu](mailto:info@pm-group.eu)