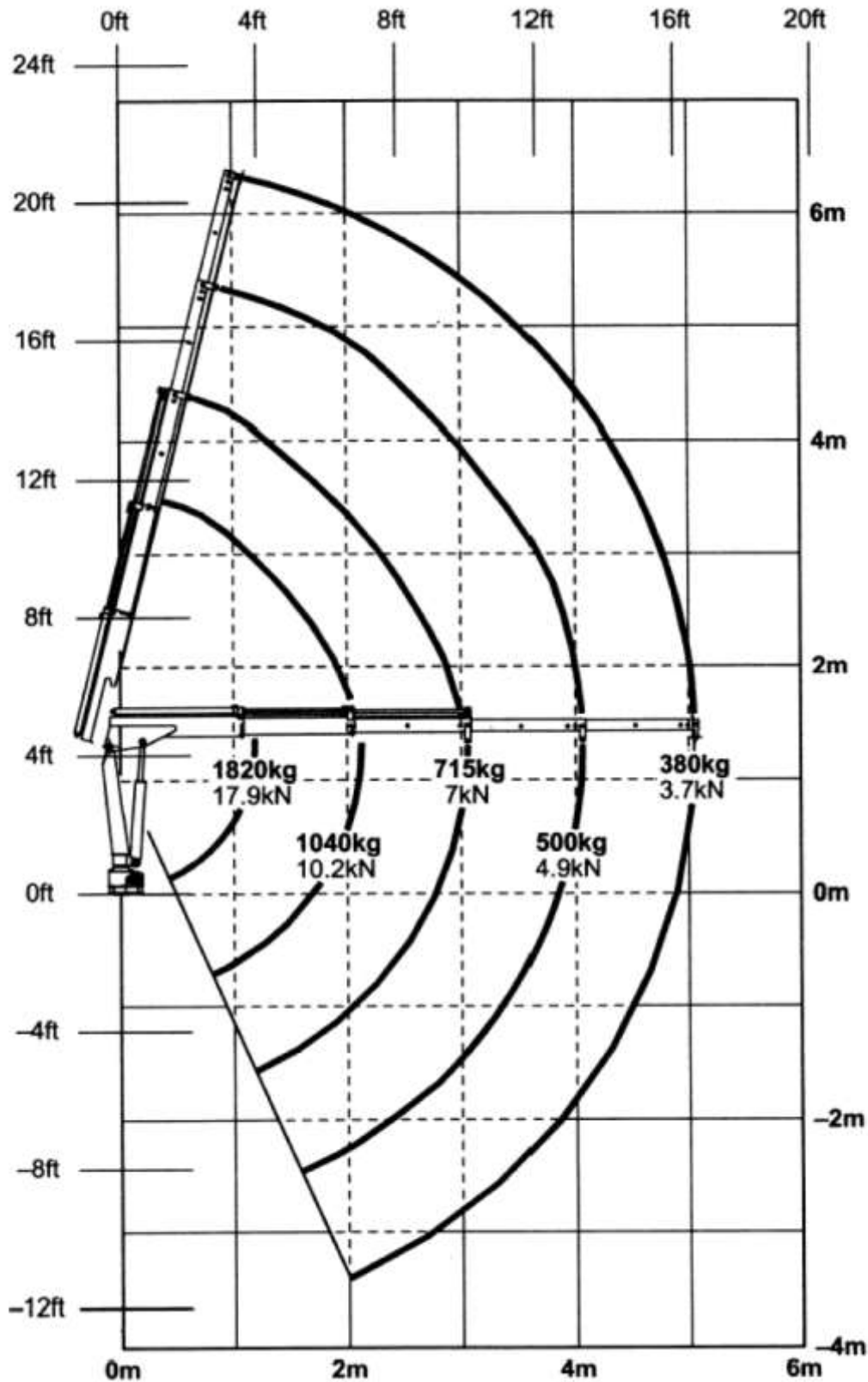




elevate to the highest power

PM 2512 LA

with 2 manual extensions



PM Group spa
via G. Verdi 22
41018 S. Cesario Sul Panaro MO Italy



Cap. Soc. i.v. 52.682.500,00 €
C.F. / P.IVA 03520360961
Registro Imprese di Modena
R.E.A. n. 334223

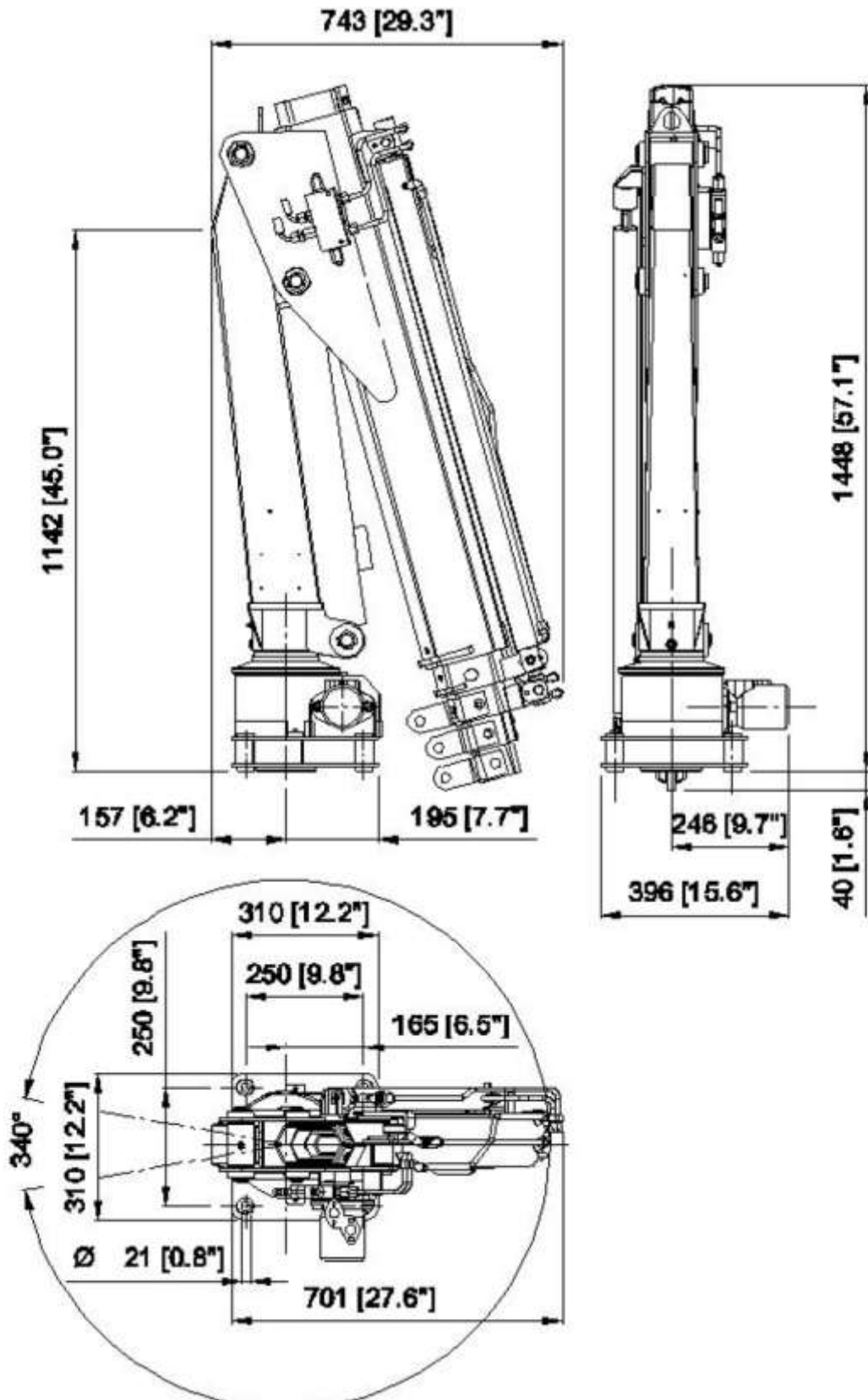
tel. +39 059 936811
fax +39 059 936800
www.pm-group.eu
info@pm-group.eu



elevate to the highest power

PM 2512 LA

with 2 manual extensions



PM Group spa
via G. Verdi 22
41018 S. Cesario Sul Panaro MO Italy

Cap. Soc. i.v. 52.682.500,00 €
C.F. / P.IVA 03520360961
Registro Imprese di Modena
R.E.A. n. 334223

tel. +39 059 936811
fax +39 059 936800
www.pm-group.eu
info@pm-group.eu

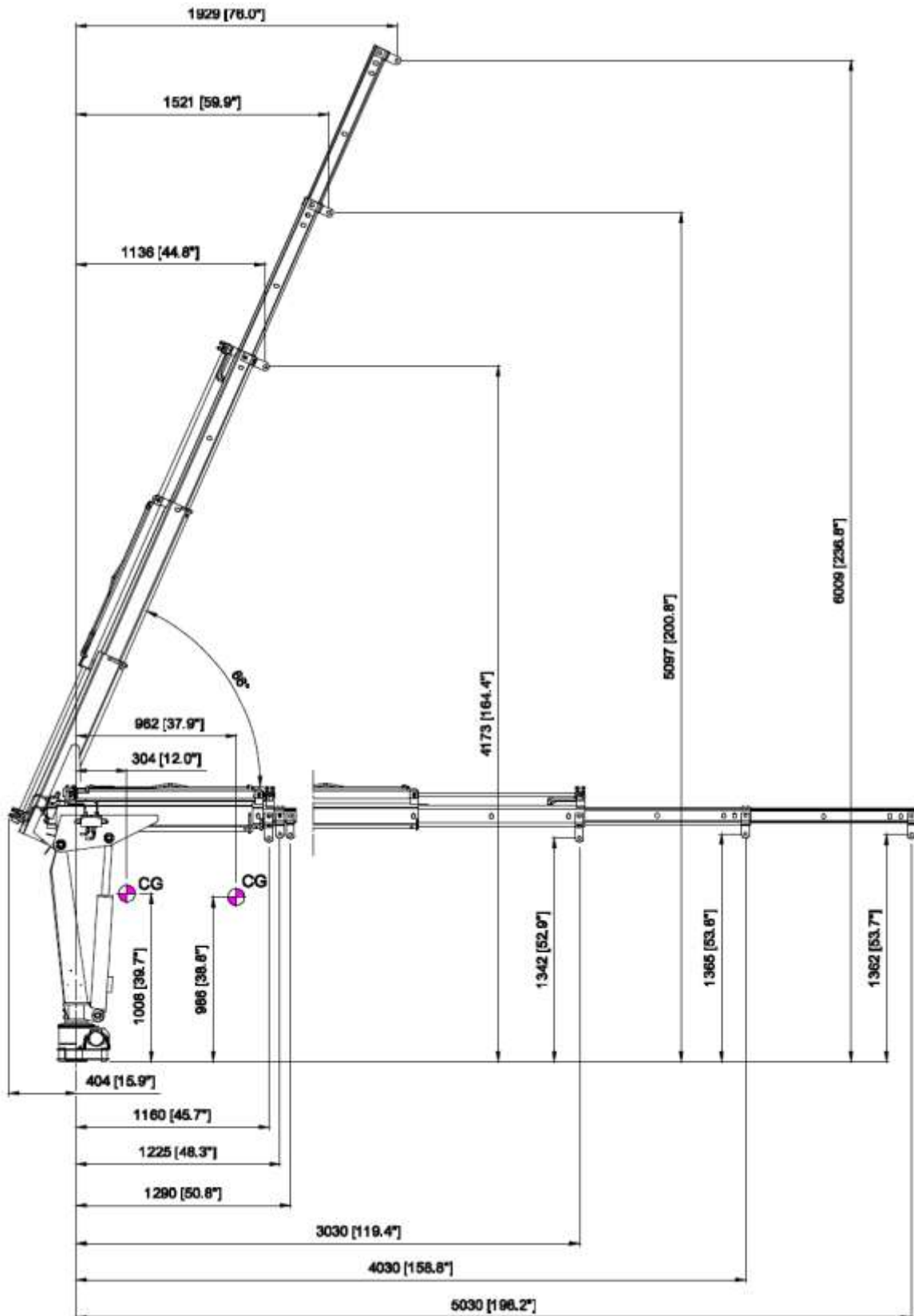




elevate to the highest power

PM 2512 LA

with 2 manual extensions



PM Group spa
via G. Verdi 22
41018 S. Cesario Sul Panaro MO Italy

Cap. Soc. i.v. 52.682.500,00 €
C.F. / P.IVA 03520360961
Registro Imprese di Modena
R.E.A. n. 334223

tel. +39 059 936811
fax +39 059 936800
www.pm-group.eu
info@pm-group.eu





elevate to the highest power

PM 2512 LA

with 2 manual extensions

Max. Hubmoment: Lifting moment: Couple de levage: Coppia di sollevamento:	22.8 kNm (2.3 mt) 16635 ft.lbs
Max. Hubkraft: Max. lifting capacity: Puissance de levage: Massimo carico sollevabile:	1820 kg 5530 lbs
Max. Hubkraft (CE): Max. lifting capacity (CE): Puissance de levage(CE): Massimo carico sollevabile(CE):	990 kg 2180 lbs
Max. hydraulische Reichweite: Max. hydraulic outreach: Portée hydraulique maximale: Massimo sbraccio idraulico:	4.1 m (13' 3 13/16")
Max. Reichweite: Max. outreach: Max. portée: Massimo sbraccio:	5.6 m (16' 7 3/16")
Schwenkbereich: Slewing angle: Angle de rotation: Angolo max. rotazione:	340°
Schwenkmoment: Slewing torque: Couple de rotation: Coppia di rotazione:	3.2 kNm (0.33 mt) 2390 ft.lbs
Max. Betriebsdruck: Operating pressure: Pression d'utilisation: Pressione massima di lavoro:	19 Mpa (190 bar) 2755 psi
Empfohlene Fordermenge der Pumpe: Recommended pump capacity: Débit de pompe recommandé Portata d'olio consigliata:	6 l/min 1.3 – 1.6 [imp.gal/min - US gal/min]

Hydr. Ausschube: Hydr. boom extensions: Extensions hydrauliques: Sfili idraulici:	1	2	3	4	5	6
Max. Reichweite: Max. outreach: Max. portée: Massimo sbraccio:		3.1m 10' 1/2"	4.1m 13' 3 13/16"			
+V		4.1m 13' 3 13/16"				
+V		5.1m 16' 7 13/16"	5.1m 16' 7 13/16"			
+V						
+V						
Krangewicht: Crane weight: Poids grue: Peso gru:		230 Kg 507 lbs	259 Kg 570 lbs			
+V		245 Kg 540 lbs				
+V		257 Kg 566 lbs	271 Kg 597 lbs			
+V						
+V						

PM Group spa
via G. Verdi 22
41018 S. Cesario Sul Panaro MO Italy



Providing lifting solutions
for every need

pmindustries.ca
Toll Free: 1-855-656-1689