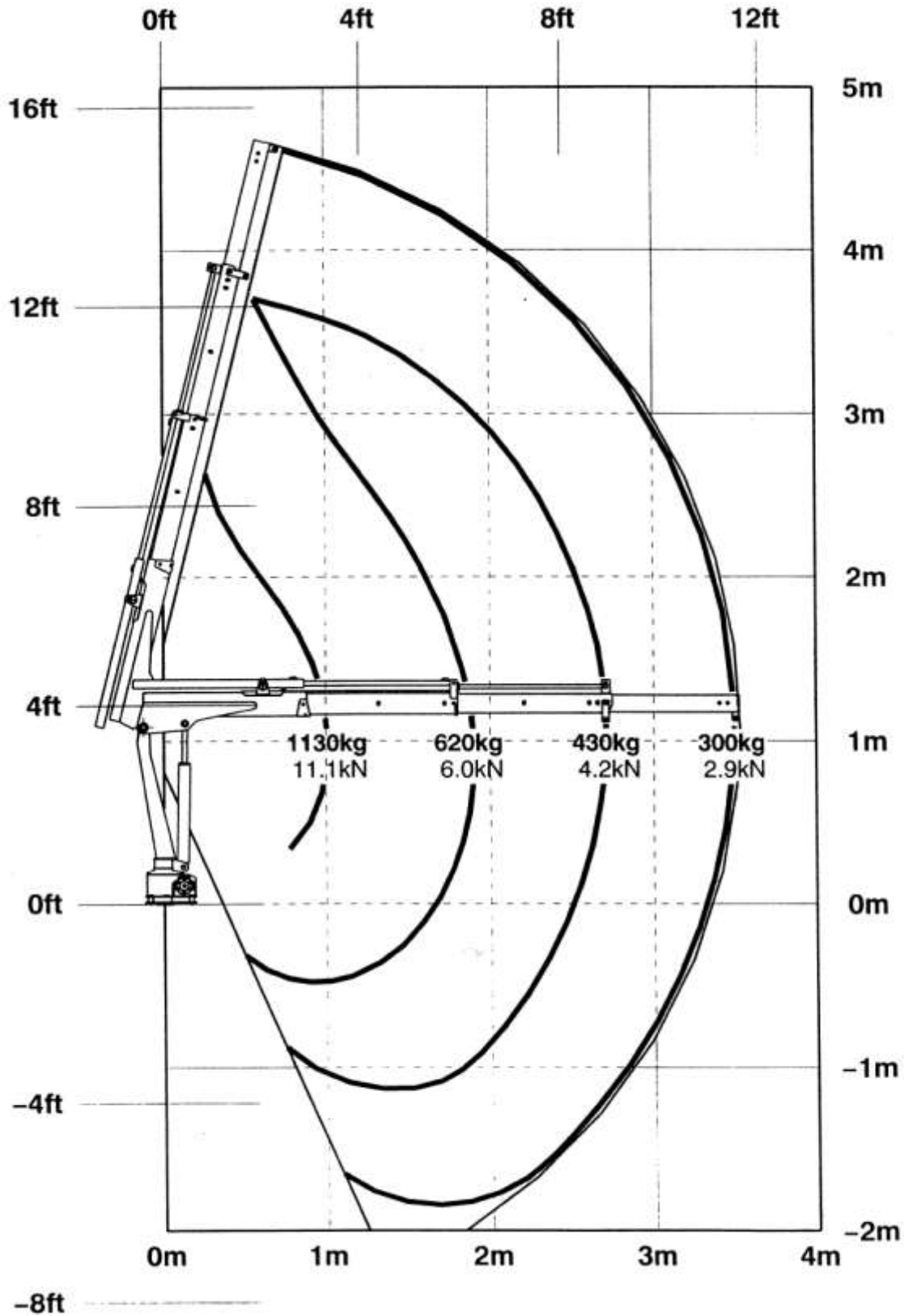




elevate to the highest power

# PM 1512 LA

with 1 manual extension



PM Group spa  
via G. Verdi 22  
41018 S. Cesario Sul Panaro MO Italy



Cap. Soc. i.v. 52.682.500,00 €  
C.F. / P.IVA 03520360961  
Registro Imprese di Modena  
R.E.A. n. 334223

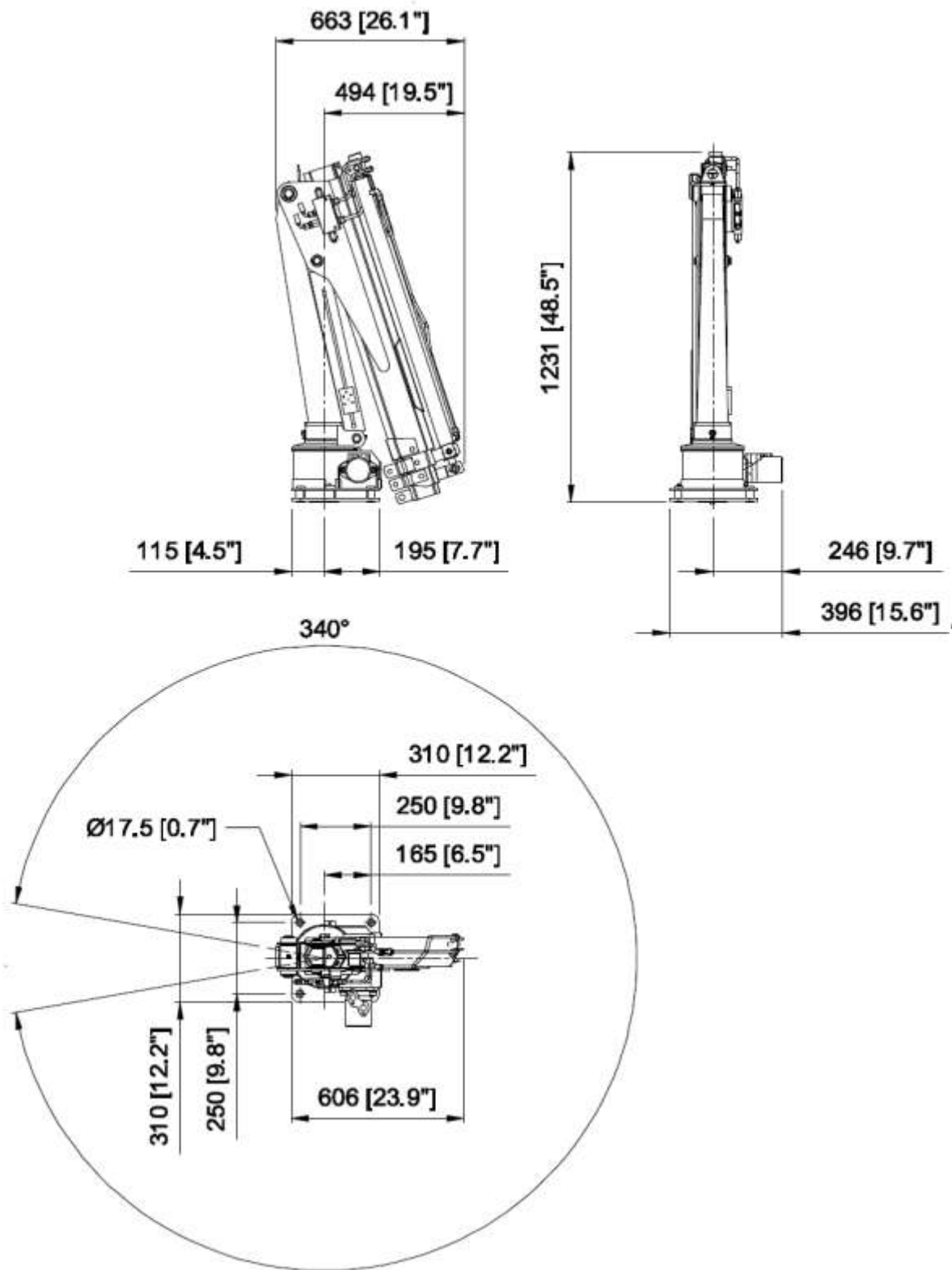
tel. +39 059 936811  
fax +39 059 936800  
www.pm-group.eu  
info@pm-group.eu



elevate to the highest power

# PM 1512 LA

with 1 manual extension



**PM Group spa**  
via G. Verdi 22  
41018 S. Cesario Sul Panaro MO Italy



Cap. Soc. i.v. 52.682.500,00 €  
C.F. / P.IVA 03520360961  
Registro Imprese di Modena  
R.E.A. n. 334223

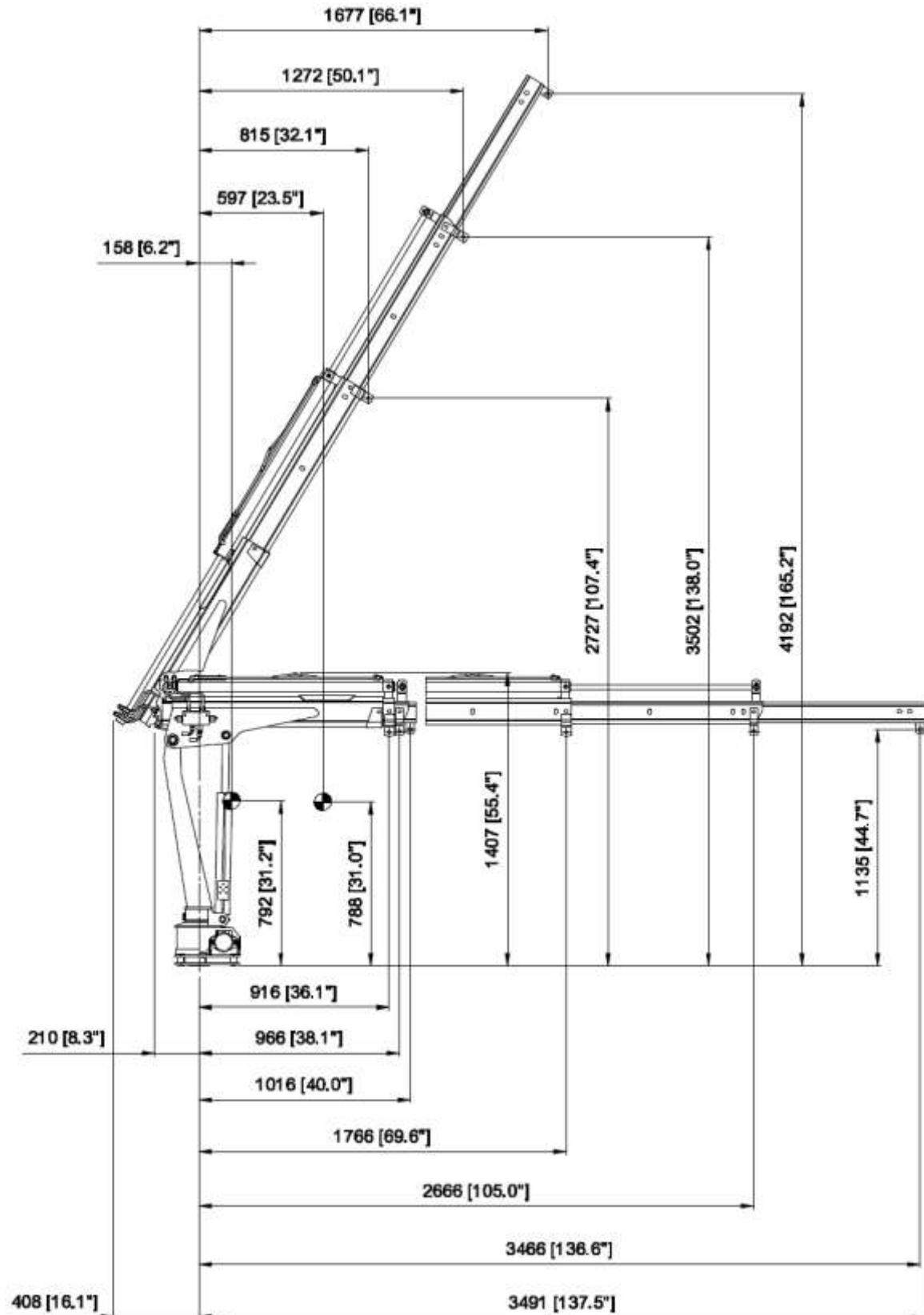
tel. +39 059 936811  
fax +39 059 936800  
www.pm-group.eu  
info@pm-group.eu



elevate to the highest power

# PM 1512 LA

with 1 manual extension



PM Group spa  
via G. Verdi 22  
41018 S. Cesario Sul Panaro MO Italy

Cap. Soc. i.v. 52.682.500,00 €  
C.F. / P.IVA 03520360961  
Registro Imprese di Modena  
R.E.A. n. 334223

tel. +39 059 936811  
fax +39 059 936800  
www.pm-group.eu  
info@pm-group.eu





elevate to the highest power

# PM 1512 LA

with 1 manual extension

<b>Max. Hubmoment</b> Lifting moment: Couple de levage: Coppia di sollevamento:	12 kNm (1.2 mt) 8680 ft.lbs
<b>Max. Hubkraft</b> Max. lifting capacity: Puissance de levage: Massimo carico sollevabile:	1130 kg 2490 lbs
<b>Max. Hubkraft (CE)</b> Max. lifting capacity (CE): Puissance de levage(CE): Massimo carico sollevabile(CE):	990 kg 2180 lbs
<b>Max. hydraulische Reichweite</b> Max. hydraulic outreach: Portée hydraulique maximale: Massimo sbraccio idraulico:	2.7 m (8' 10 9/16")
<b>Max. Reichweite</b> Max. outreach: Max. portée: Massimo sbraccio:	3.5 m (11' 6 1/16")
<b>Schwenkbereich</b> Slewing angle: Angle de rotation: Angolo max. rotazione:	340°
<b>Schwenkmoment</b> Slewing torque: Couple de rotation: Coppia di rotazione:	3.2 kNm (0.33 mt) 2390 ft.lbs
<b>Max. Betriebsdruck</b> Operating pressure: Pression d'utilisation: Pressione massima di lavoro:	19 Mpa (190 bar) 2755 psi
<b>Empfohlene Fordermenge der Pumpe</b> Recommended pump capacity: Débit de pompe recommandé Portata d'olio consigliata:	6 l/min 1.3 – 1.6 [imp.gal/min - US gal/min]

Hydr. Ausschube: Hydr. boom extensions: Extensions hydrauliques: Sfili idraulici:	1	2	3	4	5	6
<b>Max. Reichweite</b> Max. outreach: Max. portée: Massimo sbraccio		2.7 m 8' 10 5/16"	3.5 m 11' 5 13/16"			
<b>+V</b>		3.5 m 11' 5 13/16"				
<b>+V</b>						
<b>+V</b>						
<b>+V</b>						
<b>Krangewicht</b> Crane weight: Poids grue: Peso gru:		165 Kg 364 lbs	187 Kg 412 lbs			
<b>+V</b>		177 Kg 390 lbs				
<b>+V</b>						
<b>+V</b>						
<b>+V</b>						

PM Group spa  
via G. Verdi 22  
41018 S. Cesario Sul Panaro MO Italy



Providing lifting solutions  
for every need

[pmindustries.ca](http://pmindustries.ca)

Toll Free: 1-855-656-1689