

KM 415

Pallet Fork

self shifting & tines with lock pin adjustment

The robust pallet fork KM 415 with spring loaded centre of gravity compensation can easily be adapted to different loads with adjustable plunge depth and adjustable tine spread.

- **Efficient handling** of many different kinds of loads in an economic, one-man operation is possible due to the automatic shifting of the KM 415 to a preset position. Compression springs return slide to initial position.
- **Throat height adjustable in steps** from 1000 mm to 1600 mm with a lock pin.
- **Tine spread adjustable in steps** from 320 mm to 930 mm with a lock pin.



Pallet Fork KM 415

Type	Load capacity (kg)	Throat height A (mm)	Tine length (mm)	Tine spread Z (mm)	Tine dimensions (width x height) (mm)	Centre of gravity (mm)	Self weight (w/o rotator) (kg)
KM 415-1500-500	1500	1000 – 1600	980	325 – 920	80 x 35	500	145
KM 415-2000-500	2000	1000 – 1600	980	345 – 940	100 x 35	500	150
KM 415-2500-500	2500	1000 – 1600	980	355 – 945	90 x 40	500	170
KM 415-3000-500	3000	1000 – 1600	980	385 – 975	120 x 50	500	205
KM 415-1500-600	1500	1000 – 1600	1150	345 – 940	100 x 35	600	170
KM 415-2000-600	2000	1000 – 1600	1150	355 – 945	90 x 40	600	180
KM 415-2500-600	2500	1000 – 1600	1150	385 – 975	120 x 50	600	185
KM 415-3000-600	3000	1000 – 1600	1150	385 – 975	130 x 50	600	220

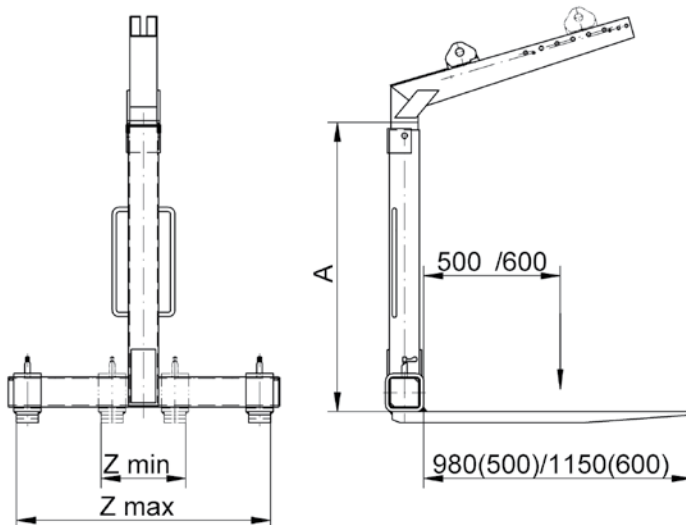
Package consists of: pallet fork, protection chain KM 460 01, 2 chain elements for suspension

Please note: – protection trellis or net is mandatory for loose material (EN 13255).
– Automatic compensation of centre of gravity functions with a min. pack weight of approx. 250 to 500 kg.

Accessories

Type	Description
KM 460 1100	protection trellis for loads up to 2000 kg – dimensions: 1100x1100x1500mm
KM 460 1300	protection trellis for loads up to 2000 kg – dimensions: 1300x1300x1500mm
KM 04 S	KINSHOFER shaft rotator – up to 4500 kg load capacity
KM 460 03 KM 04 S	rigid suspension link with pin for rotator KM 04 S
KM 460 04 KM 04 S	non-rotating hook for rotator KM 04 S

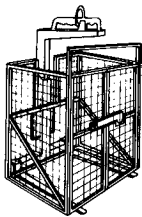
Technical Drawings



Accessories for Pallet Forks

KM 460 – Protection Trellis

For safer handling of bricks and other stacked goods or loose materials in higher elevation – max. capacity of 2000 kg. The trellis can be mounted within minutes and is therefore a flexible system on the construction site



Type	Dimensions (mm)	Height (mm)	Self weight (kg)
KM 460 1100	1100 x 1100	1500	60
KM 460 1300	1300 x 1300	1500	80

other dimensions available on request

KM 460 03 – Rigid Suspension Link with Pin & KM 460 04 Non-rotating Hook for Shaft Rotators

With the suspension link or the hook in combination with the **KINSHOFER** shaft rotator an efficient change between pallet fork and other attachments is possible



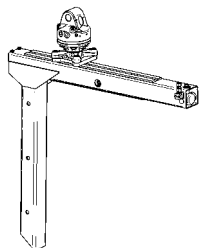
KM 460 03

KM 460 04

Type	Description	Load capacity (kg)	Self weight (approx. kg)
KM 460 03 KM 04 S	rigid suspension link with pin for rotator KM 04 S	4500	10
KM 460 04 KM 04 S	non-rotating hook for rotator KM 04 S	4500	15
KM 460 10	non-rotating hook for rotator KM 10 F173	10000	25

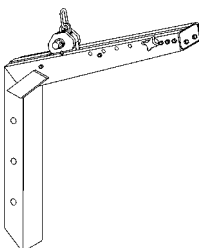
Different Methods of Centre of Gravity Compensation

Hydraulic shifting



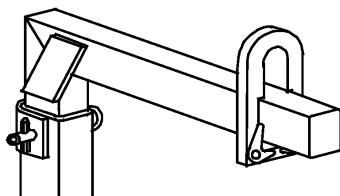
Hydraulic centre of gravity compensation: the slide in the top arm is moved by a cylinder in an economic one-man operation. In combination with a **KINSHOFER** rotator, precise positioning is no problem

Self shifting



Spring loaded centre of gravity compensation: self shifting slide in the top arm; travel can be preset depending on the center of gravity of load to be picked up. Compression springs return slide to initial position after load is removed

Manual shifting



Mechanical centre of gravity compensation: manual change of position of shifting collar by the operator. Suspension ring for crane hook, connection plate for use with flange rotator or shaft rotator are available