

The robust pallet fork KM 414 with manual centre of gravity compensation is an economic alternative.

- Manual change of position of shifting collar by the operator.
- Connection plate for **KINSHOFER** flange or shaft rotator, or for a crane hook are included in the package.
- Throat height adjustable in steps from 1000 mm to 1600 mm with a lock pin.
- Tine spread adjustable in steps from 320 mm to 930 mm with a lock pin.



Pallet Fork KM 414

Type	Load capacity (kg)	Throat height A (mm)	Tine length (mm)	Tine spread Z (mm)	Tine dimensions (width x height) (mm)	Centre of gravity (mm)	Self weight (w/o rotator) (kg)
KM 414-1250-500	1250	1000 – 1600	980	325 – 920	80 x 35	500	100
KM 414-1500-500	1500	1000 – 1600	980	325 – 920	80 x 35	500	120
KM 414-2000-500	2000	1000 – 1600	980	345 – 940	100 x 35	500	130
KM 414-2500-500	2500	1000 – 1600	980	355 – 945	90 x 40	500	170
KM 414-3000-500	3000	1000 – 1600	980	385 – 975	120 x 50	500	200
KM 414-1250-600	1250	1000 – 1600	1150	325 – 920	80 x 35	600	120
KM 414-1500-600	1500	1000 – 1600	1150	345 – 940	100 x 35	600	150
KM 414-2000-600	2000	1000 – 1600	1150	355 – 945	90 x 40	600	180
KM 414-2500-600	2500	1000 – 1600	1150	385 – 975	120 x 50	600	235
KM 414-3000-600	3000	1000 – 1600	1150	385 – 975	130 x 50	600	265

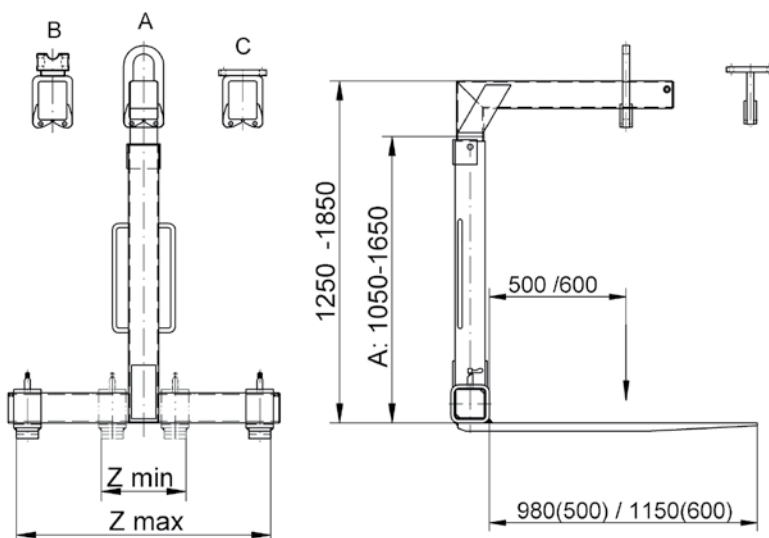
Package consists of: pallet fork, protection chain KM 460 01

Please note: a protection trellis or net is mandatory for loose material (EN 13255)

Accessories

Type	Description
KM 460 1100	protection trellis for loads up to 2000 kg – dimensions: 1100x1100x1500mm
KM 460 1300	protection trellis for loads up to 2000 kg – dimensions: 1300x1300x1500mm
KM 04 F	KINSHOFER flange rotator for precise positioning of the load – up to 4500 kg load capacity
KM 04 S	KINSHOFER shaft rotator for precise positioning of the load – up to 4500 kg load capacity
KM 505	quick change system for shaft-type rotators
KM 502 4500	reduction link between rotator and grapple
KM 460 04 KM 04 S	non-rotating hook for rotator KM 04 S

Technical Drawings



Connecting Plate for:

- A Crane Hook
- B Shaft Rotator
- C Flange Rotator